

Feature Expansion Board Type 2018 (B658)

Feature Expansion Board Type 2018 (B658)


PARTS CATALOG

This catalog gives the numbers and names of parts on this machine.

1.GW Expansion Unit 1 (B658).....	2
2.GW Expansion Unit 2 (B658).....	4
3.GW Expansion Unit 3 (B658).....	6
PARTS INDEX.....	11

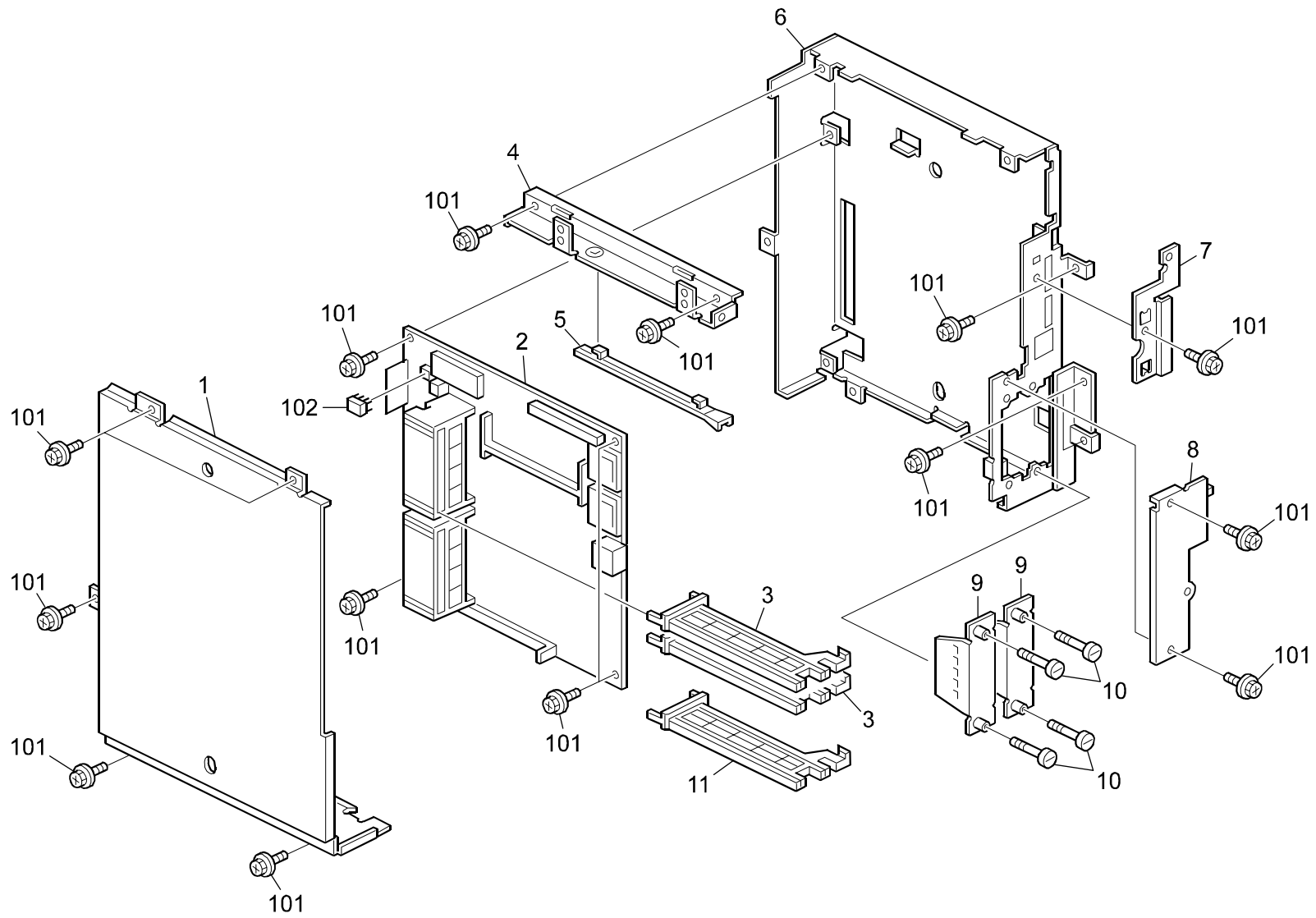
October ,16 ' 2003

1.GW Expansion Unit 1 (B658)

Index No.	Part No.	Description	Q'ty Per Assembly
*	B658 1421	Operation Sub-unit:Expand:Exp:Ass'y	1
1	B404 1473	Copy Key (NA)	1
1	B404 1483	Copy Key (EU)	1
2	B039 1469	Ground Plate	1
3	B039 1499	Pan Head Tapping Screw - M3x8	1
4	B404 1457	Pin	1
5	B404 1458	Quick Dial Plate Ass'y	1
6	B404 1461	Decal Dial 09-12	1
7	B404 1462	Decal Dial 13-16	1
8	B404 1463	Decal Dial 17-20	1
9	B404 1464	Decal Dial 21-24	1
10	B404 1459	Decal Dial 01-04	1
11	B404 1460	Decal Dial 05-08	1
12	B404 1465	Decal Dial 25-28	1
13	B404 1466	Decal Dial 29-32	1
14	B658 1430	Case:Expand	1
15	B658 1431	Cover:Expand:Lower	1
16	B658 1441	Keytop:Dial:Exp	1
17	B658 1445	Sheet:Preventfence Sheet:Expand	1
18	B658 1480	Pcb:Operation Sub-unit:Expand:Ass'y	1
19	B658 1481	Harness:Operation Sub-unit:Expand	1
			

Index No.	Part No.	Description	Q'ty Per Assembly
101	0451 3006B	Tapping Screw - M3x6	
102	0451 3008H	Tapping Screw - M3x8	

2.GW Expansion Unit 2 (B658)



2.GW Expansion Unit 2 (B658)



Index No.	Part No.	Description	Q'ty Per Assembly
1	B622 5880	Cover:Expand	1
2	B658 5700	PCB Ctl:Exp:Ass'y	1
3	B622 5832	Rail:Left	2
4	B622 5885	Holder:Rail	1
5	B622 5874	Rail:Fax Control Unit	1
6	B622 5870	Bracket:Expand	1
7	B622 5876	Cover:Card	1
8	B622 5875	Cover:Fax Control Unit	1
9	B070 6895	Panel:Interface	2
10	B622 5823	Knob Screw	4
11	B622 5831	Rail:Right	1

Index No.	Part No.	Description	Q'ty Per Assembly
101	0451 3006B	Tapping Screw - M3x6	
102	1407 5856	RAM - Fm18I08-70-p	

3.GW Expansion Unit 3 (B658)

CAPACITOR

SYMBOL NO.	INDEX NO.	SYMBOL NO.	INDEX NO.	SYMBOL NO.	INDEX NO.	SYMBOL NO.	INDEX NO.	SYMBOL NO.	INDEX NO.	SYMBOL NO.	INDEX NO.	SYMBOL NO.	INDEX NO.
C251	157	C261	161	C271	154	---	---	---	---	C391	157	C411	142
---	---	---	---	C272	150	---	---	---	---	C392	157	C412	142
---	---	---	---	C273	143	---	---	C303	154	C393	157	C413	157
---	---	---	---	---	---	---	---	C304	150	C394	157	C414	151
---	---	---	---	---	---	---	---	---	---	C395	157	C415	157
---	---	---	---	C276	150	---	---	---	---	C396	157	C416	157
C257	161	C267	141	C277	154	---	---	---	---	---	---	C417	157
C258	161	C268	157	C278	147	C298	153	---	---	---	---	C418	157
C259	160	C269	154	C279	147	---	---	---	---	---	---	C419	151
C260	160	---	---	---	---	---	---	C370	157	C410	143	C420	157

CAPACITOR

SYMBOL NO.	INDEX NO.	SYMBOL NO.	INDEX NO.	SYMBOL NO.	INDEX NO.	SYMBOL NO.	INDEX NO.	SYMBOL NO.	INDEX NO.	SYMBOL NO.	INDEX NO.	SYMBOL NO.	INDEX NO.
C421	157	C431	157	C441	156	---	---	C461	157	C471	157	C481	157
C422	157	C432	157	C442	152	---	---	C462	157	C472	157	C482	159
---	---	C433	157	---	---	C453	157	C463	157	C473	157	C483	157
C424	157	C434	157	C444	157	C454	157	C464	157	C474	157	C484	157
C425	157	---	---	C445	157	C455	157	---	---	C475	157	C485	155
C426	157	---	---	C446	157	C456	157	C466	151	C476	157	---	---
C427	157	C437	157	---	---	C457	157	C467	152	C477	157	C487	156
C428	157	C438	156	---	---	C458	157	C468	157	C478	157	---	---
C429	157	C439	156	C449	157	C459	157	C469	157	C479	157	C489	155
C430	157	C440	156	---	---	C460	157	C470	157	C480	149	---	---

3.GW Expansion Unit 3 (B658)

CAPACITOR

SYMBOL NO.	INDEX NO.	SYMBOL NO.	INDEX NO.	SYMBOL NO.	INDEX NO.	SYMBOL NO.	INDEX NO.	SYMBOL NO.	INDEX NO.	SYMBOL NO.	INDEX NO.	SYMBOL NO.	INDEX NO.
C491	156	---	---	---	---	C521	153	C531	153	C541	153	C551	153
---	---	---	---	---	---	C522	153	C532	153	C542	153	C552	153
C493	156	C503	149	---	---	C523	153	C533	153	C543	153	C553	153
C494	156	C504	149	---	---	C524	153	C534	153	C544	153	C554	153
C495	155	C505	153	---	---	C525	153	C535	153	C545	153	C555	153
C496	155	C506	148	---	---	C526	153	C536	153	C546	153	C556	153
C497	156	C507	148	C517	157	C527	153	C537	153	C547	153	C557	153
---	---	C508	148	C518	157	C528	153	C538	153	C548	153	C558	153
---	---	C509	148	---	---	C529	153	C539	153	C549	153	C559	153
---	---	---	---	C520	153	C530	153	C540	153	C550	153	C560	153

CAPACITOR

SYMBOL NO.	INDEX NO.	SYMBOL NO.	INDEX NO.	SYMBOL NO.	INDEX NO.	SYMBOL NO.	INDEX NO.	SYMBOL NO.	INDEX NO.	SYMBOL NO.	INDEX NO.	SYMBOL NO.	INDEX NO.
---	---	C571	153	C591	157	---	---	C611	153	---	---	---	---
C562	153	C572	153	---	---	C602	153	C612	153	---	---	C632	153
C563	153	C573	153	C593	145	---	---	C613	149	C623	153	C633	153
C564	153	C574	157	C594	145	---	---	C614	153	C624	153	---	---
C565	153	C575	157	---	---	---	---	C615	153	C625	149	---	---
C566	153	C576	157	C596	153	---	---	C616	153	C626	153	C636	171
C567	153	---	---	---	---	C607	158	C617	153	C627	153	C637	153
C568	153	---	---	---	---	C608	153	C618	148	---	---	---	---
C569	153	---	---	C599	157	C609	159	C619	148	---	---	---	---
C570	153	---	---	C600	153	C610	153	C620	144	C630	153	C640	171

3.GW Expansion Unit 3 (B658)

CAPACITOR

SYMBOL NO.	INDEX NO.
---	---
C642	171
C643	153
---	---
C655	148
---	---
C656	149
C657	149
---	---
---	---
---	---

SYMBOL NO.	INDEX NO.
---	---
---	---
C663	162
C664	162
C665	162
---	---
C666	162
C667	162
C668	161
C669	161
C670	153

SYMBOL NO.	INDEX NO.
C671	153
C672	149
C673	158
C674	153
C675	149
---	---
C676	146
C677	146
C678	161
C679	149
C680	153

SYMBOL NO.	INDEX NO.
C681	153
C682	149

CONNECTOR

SYMBOL NO.	INDEX NO.
CN501	104
CN502	107
---	---
CN504	108
---	---
---	---
CN506	103
CN507	102
CN508	106
CN509	105
CN510	105

SYMBOL NO.	INDEX NO.
---	---
CN512	101

DIODE

SYMBOL NO.	INDEX NO.
---	---
D2	113
---	---
---	---
D5	114
D6	115
---	---
---	---
---	---

FILTER

SYMBOL NO.	INDEX NO.
FIL30	166
FIL31	166
---	---
FIL33	166
FIL34	166
FIL35	166
---	---
FIL36	166
FIL37	166
FIL38	163
FIL39	167

SYMBOL NO.	INDEX NO.
FIL40	167
FIL41	167
FIL42	167
FIL43	167
FIL44	165

IC

SYMBOL NO.	INDEX NO.
HIC1	2
IC2	128
IC3	127
---	---
IC5	1
---	---
IC6	195
IC7	195
---	---
---	---
---	---

SYMBOL NO.	INDEX NO.
---	---
---	---
---	---
---	---
IC15	119
---	---
---	---
---	---
IC38	122
---	---
---	---
IC60	134

SYMBOL NO.	INDEX NO.
IC61	131
IC62	133
IC63	120
---	---
---	---
---	---
---	---
---	---
IC68	109
IC69	117
---	---

SYMBOL NO.	INDEX NO.
---	---
---	---
IC73	126
---	---
---	---
---	---
---	---
IC77	129
---	---
---	---
---	---

SYMBOL NO.	INDEX NO.
---	---
IC82	124
IC83	194
---	---
IC85	118
---	---
IC86	130
IC87	123
---	---
---	---
---	---

3.GW Expansion Unit 3 (B658)

IC

SYMBOL NO.	INDEX NO.
IC91	125
---	---
---	---
---	---
---	---
IC96	121

JP

SYMBOL NO.	INDEX NO.
---	---
---	---
---	---
---	---
---	---
---	---
JP17	169
---	---
JP19	169
---	---

SYMBOL NO.	INDEX NO.
---	---
JP22	169
---	---
---	---
JP35	169
---	---
JP36	169
---	---
JP38	169
JP39	169
---	---

SYMBOL NO.	INDEX NO.
---	---
---	---
---	---
---	---
---	---
JP57	170
---	---
---	---
---	---
---	---

SYMBOL NO.	INDEX NO.
---	---
---	---
---	---
JP64	169
JP65	169
---	---
---	---
---	---
JP78	170
---	---
JP80	170

SYMBOL NO.	INDEX NO.
---	---
---	---
---	---
JP85	170
---	---
---	---
---	---
---	---
JP89	170
---	---

SYMBOL NO.	INDEX NO.
---	---
---	---
---	---
---	---
JP95	170
---	---
JP96	170
JP97	170
JP98	170
JP99	170
JP100	170

JP

SYMBOL NO.	INDEX NO.
JP106	170
JP107	170
---	---
---	---
---	---
JP111	170
JP112	170
JP113	170

L/LED

SYMBOL NO.	INDEX NO.
L1	164
LED1	116

OSC

SYMBOL NO.	INDEX NO.
OSC1	136
OSC2	135
OSC3	137

RESISTOR

SYMBOL NO.	INDEX NO.
R1	179
R2	179
R3	179
R4	179
R5	179
---	---
R6	179
R7	179
R8	179
---	---
---	---

SYMBOL NO.	INDEX NO.
---	---
---	---
---	---
---	---
---	---
---	---
---	---
R18	174
---	---
---	---

SYMBOL NO.	INDEX NO.
R41	176
---	---
---	---
---	---
---	---
---	---
---	---
---	---
---	---
R48	179
R49	179
R50	179

SYMBOL NO.	INDEX NO.
R51	179
---	---
---	---
---	---
---	---
---	---
R116	176
---	---
---	---
---	---

SYMBOL NO.	INDEX NO.
R121	176
---	---
R123	179
---	---
---	---
---	---
---	---
---	---
---	---
R139	183
---	---

3.GW Expansion Unit 3 (B658)

RESISTOR

SYMBOL NO.	INDEX NO.	SYMBOL NO.	INDEX NO.	SYMBOL NO.	INDEX NO.	SYMBOL NO.	INDEX NO.	SYMBOL NO.	INDEX NO.	SYMBOL NO.	INDEX NO.	SYMBOL NO.	INDEX NO.
---	---	---	---	R191	173	---	---	R311	179	---	---	R411	174
---	---	---	---	---	---	R292	179	---	---	---	---	---	---
---	---	---	---	R193	173	---	---	R313	177	---	---	---	---
R164	173	R184	174	R214	179	---	---	R314	177	R404	174	---	---
---	---	---	---	R285	193	---	---	---	---	R405	174	---	---
---	---	---	---	---	---	---	---	---	---	---	---	---	---
R167	180	---	---	---	---	---	---	---	---	R406	174	---	---
---	---	---	---	---	---	---	---	---	---	R407	174	---	---
---	---	R189	173	---	---	R309	173	R389	174	---	---	R418	173
---	---	---	---	R290	179	---	---	---	---	---	---	---	---
---	---	---	---	---	---	---	---	---	---	---	---	R420	174

RESISTOR

SYMBOL NO.	INDEX NO.	SYMBOL NO.	INDEX NO.	SYMBOL NO.	INDEX NO.	SYMBOL NO.	INDEX NO.	SYMBOL NO.	INDEX NO.	SYMBOL NO.	INDEX NO.	SYMBOL NO.	INDEX NO.
R421	173	R431	173	R441	174	R451	174	---	---	R471	174	---	---
---	---	---	---	R442	174	---	---	---	---	R472	174	---	---
R423	173	---	---	R443	174	R453	174	---	---	R473	174	---	---
---	---	---	---	---	---	R454	173	---	---	---	---	R484	173
---	---	---	---	---	---	---	---	---	---	---	---	---	---
---	---	---	---	---	---	---	---	---	---	R476	174	R496	173
---	---	R437	185	R447	179	---	---	R467	174	---	---	---	---
R428	185	R438	174	R448	179	R458	174	R468	174	---	---	---	---
---	---	---	---	R449	179	R459	179	R469	174	---	---	R499	173
---	---	R440	173	R450	179	R460	174	R470	174	---	---	---	---

3.GW Expansion Unit 3 (B658)

RESISTOR

SYMBOL NO.	INDEX NO.	SYMBOL NO.	INDEX NO.	SYMBOL NO.	INDEX NO.	SYMBOL NO.	INDEX NO.	SYMBOL NO.	INDEX NO.	SYMBOL NO.	INDEX NO.	SYMBOL NO.	INDEX NO.
---	---	---	---	R521	179	---	---	R541	179	R551	186	---	---
---	---	---	---	R522	173	---	---	---	---	R552	186	R562	189
---	---	R513	173	R523	174	---	---	R543	186	---	---	R563	183
R504	193	---	---	R524	174	---	---	---	---	---	---	R564	183
---	---	---	---	R525	174	---	---	---	---	---	---	---	---
---	---	---	---	---	---	---	---	---	---	---	---	---	---
---	---	---	---	---	---	R536	172	---	---	---	---	---	---
---	---	---	---	---	---	---	---	R547	186	---	---	R567	182
---	---	R518	179	---	---	---	---	---	---	R558	179	R568	182
---	---	R519	179	---	---	---	---	---	---	R559	179	---	---
---	---	R520	179	---	---	---	---	---	---	---	---	R570	183

RESISTOR

SYMBOL NO.	INDEX NO.	SYMBOL NO.	INDEX NO.	SYMBOL NO.	INDEX NO.	SYMBOL NO.	INDEX NO.	SYMBOL NO.	INDEX NO.	SYMBOL NO.	INDEX NO.	SYMBOL NO.	INDEX NO.
---	---	R581	174	R591	172	R601	175	R611	188	R621	174	R631	184
R572	183	R582	179	---	---	R602	192	R612	188	R622	174	R632	192
---	---	R583	174	---	---	R603	179	---	---	R623	179	R633	191
---	---	---	---	R594	174	---	---	---	---	R624	179	R634	188
R575	179	R585	187	R595	183	---	---	---	---	R625	179	R635	178
R576	174	---	---	R596	183	---	---	R616	174	R626	183	R636	179
R577	174	R587	187	R597	183	---	---	R617	174	R627	184	R637	179
R578	174	R588	174	R598	174	---	---	---	---	R628	184	R638	190
R579	174	R589	174	R599	174	---	---	R619	174	R629	184	R639	179
R580	174	R590	172	R600	184	R610	188	R620	174	R630	191	R640	174

3.GW Expansion Unit 3 (B658)

RESISTOR

SYMBOL NO.	INDEX NO.	SYMBOL NO.	INDEX NO.	SYMBOL NO.	INDEX NO.	SYMBOL NO.	INDEX NO.	SYMBOL NO.	INDEX NO.	SYMBOL NO.	INDEX NO.	SYMBOL NO.	INDEX NO.
R641	179	R651	174	R661	174	R681	179	R691	179	R701	179	R711	179
---	---	R652	174	---	---	R682	179	R692	179	R702	179	R712	179
---	---	R653	174	R663	174	R683	179	R693	179	R703	179	R713	179
---	---	R654	174	---	---	R684	179	R694	179	R704	179	R714	179
---	---	R655	174	R665	174	R685	179	R695	179	R705	179	R715	179
---	---	R656	174	---	---	R686	179	R696	179	R706	179	R716	179
---	---	R657	179	---	---	R687	179	R697	179	R707	179	R717	179
---	---	R658	174	R668	174	R688	179	R698	179	R708	179	R718	179
---	---	R659	179	R669	174	R689	179	R699	179	R709	179	R719	179
---	---	R660	174	---	---	R690	179	R700	179	R710	179	R720	179

RESISTOR

SYMBOL NO.	INDEX NO.	SYMBOL NO.	INDEX NO.	SYMBOL NO.	INDEX NO.	SYMBOL NO.	INDEX NO.	SYMBOL NO.	INDEX NO.	SYMBOL NO.	INDEX NO.	SYMBOL NO.	INDEX NO.
R721	179	R731	179	---	---	---	---	R811	179	R821	185	---	---
R722	179	R732	179	---	---	---	---	R812	179	R822	179	---	---
R723	179	R733	179	R783	179	---	---	---	---	R823	179	---	---
R724	179	R734	179	R784	179	R804	179	---	---	R824	181	R834	174
R725	179	R735	179	---	---	R805	179	---	---	R825	176	R835	174
R726	179	---	---	R786	174	R806	179	R816	179	R826	179	---	---
R727	179	---	---	R787	174	R807	179	R817	185	R827	179	R837	179
R728	179	---	---	---	---	R808	174	R818	185	R828	179	---	---
R729	179	---	---	---	---	---	---	R819	185	R829	179	---	---
R730	179	---	---	---	---	R810	179	R820	185	---	---	---	---

3.GW Expansion Unit 3 (B658)

Index No.	Part No.	Description	Q'ty Per Assembly
*	B658 5700	PCB CTL:Exp:Ass'y	1
1	G089 5900	ASIC:Piccolo	1
2	G089 5902	Hybrid IC:D3144	1

Index No.	Part No.	Description	Q'ty Per Assembly
101	1102 4203	CT Header - 4P	
102	1102 8832	Connector - DM-3D4-B3210	
103	1102 9091	Connector - 406549-1	
104	1102 9181	Connector:TX24-100R-12ST-N1	
105	1102 9336	Connector:FPS009-2300-0	
106	1102 9349	Connector - DIMM	
107	1102 9686	Connector - RHM-176P-SDK11-U1L1C	
108	1102 9687	Connector - RHM-88PU-SDK11-1C	
109	1104 0413	Connetctor - 28p	
110	1204 1542	DIP Switch	
111	1206 0085	Lithium Cell:CR2032	
112	1206 0086	Dry Cell Holder:20H-1T	
113	1401 0821	Diode - 1SS133	
114	1402 1336	Diode - 1SS355	
115	1402 1365	Diode-RB751V-40	
116	1403 0996	LED - SML-310VT	
117	1407 2218	TTLIC - SN74LS06NS	
118	1407 5334	IC - CMOS LOGIC 74LVC244A TSSOP	
119	1407 5337	CMOS Logic - 74LVCH16373A TSSOP	
120	1407 5351	IC - SN74LV14APW	
121	1407 5352	IC - 74LVC32A TSSOP	
122	1407 5364	IC - SN74AHCT244PW	
123	1407 5523	ROM - I2C SOP 3V	
124	1407 5653	IC:SN74IVC08ANS	
125	1407 5685	IC:SN74AHC1G32HDK	
126	1407 5712	IC:SN74IV07ANS	
127	1407 5717	IC - ICS960001AF	
128	1407 5861	CPU - TMPR4955BFG-300	
129	1407 5868	Ethernet Cont Lsi - DP83847ALQA56A	
130	1407 6119	Real Time Clock:RV5C386A	
131	1408 1779	IC - R3112Q281A	
132	1408 1817	Series Regulator:AIC1085-15CM	
133	1408 1825	IC - R3112Q121A	
134	1408 1838	IC - R3112Q431A	
135	1503 0758	Oscillator - MC-306 32.768MHZ	

Index No.	Part No.	Description	Q'ty Per Assembly
136	1503 0842	Oscillator - 14.31818MHZ	
137	1503 0959	Crystal Oscilator - 25MHZ	
138	1601 7887	Resistor Array - 10K Ω \pm 5% 1/32W	
139	1601 7896	Resistor Array - 56 Ω \pm 5% 1/32W	
140	1601 7898	Resistor Array	
141	1604 2362	Capacitor - 100 μ F \pm 20% 25V	
142	1604 4801	Capacitor - 1000 μ F \pm 20% 10V	
143	1604 4994	Capacitor - 100 μ F \pm 20% 6.3V	
144	1605 1025	Capacitor - 1000pF \pm 10% 2KV	
145	1605 1196	Capacitor - 5PF: \pm 0.25pF:50V	
146	1605 1199	Capacitor - 8PF \pm 0.5pF 50V	
147	1605 1200	Capacitor - 10PF \pm 0.5pF 50V	
148	1605 1205	Capacitor - 33pF \pm 5% 50V	
149	1605 1214	Capacitor - 1000pF \pm 10% 50V	
150	1605 1216	Capacitor - 2200pF \pm 10%:50V	
151	1605 1221	Capacitor - 0.1 UF+80-20%:16V	
152	1605 1224	Capacitor 4.7 μ F \pm 10% 6.3V	
153	1605 1228	Capacitor:0.1uf: \pm 10%:25V	
154	1605 1240	Capacitor - 0.01 μ F \pm 10% 25V	
155	1605 1275	Capacitor - 820pF \pm 5% 50V	
156	1605 1281	Capacitor - 0.22 μ F \pm 10% 16V	
157	1605 1289	Capacitor - 0.1 μ F \pm 10% 10V	
158	1605 1291	Capacitor:2.2uf: \pm 10%:10V	
159	1605 1295	Capacitor:10uf:+80-20%:10V	
160	1605 1305	Capacitor - 1 μ F+80-20% 6.3V	
161	1605 1347	Capacitor - 1UF:+80-20%:16V	
162	1605 1359	Capacitor - 10UF: \pm 20%:16V	
163	1607 0069	Fuse - BL02RN2-R62-PB	
164	1607 0551	Inductor - BLM32A07PB	
165	1607 1142	Filter-BLM11B121SBPB	
166	1607 1206	Filter - ACC2012L-250	
167	1607 1310	Filter:BLM18BB220SN1B	
168	1607 1509	Transformer - TLA-6T118LF	
169	1632 0000	Resistor - 0 Ω 1/8W	
170	1634 0000	Resistor - 0 Ω 1/16W	

Index No.	Part No.	Description	Q'ty Per Assembly
171	1644 2220	Resistor - 22UF: \pm 20%:25V	
172	1650 4101	Resistor - 100 Ω \pm 5%1/10W	
173	1650 4102	Resistor - 1K Ω \pm 5% 1/10W	
174	1650 4103	Resistor - 10K Ω \pm 5% 1/10W	
175	1650 4122	Resistor - 1.2K Ω \pm 5% 1/10W	
176	1650 4220	Chip Resistor - 22 Ω \pm 5% 1/10W	
177	1650 4271	Resistor - 270 Ω \pm 5%1/10W	
178	1650 4303	Resistor - 30K Ω \pm 5% 1/10W	
179	1650 4330	Chip Resistor - 33 Ω \pm 5% 1/10W	
180	1650 4331	Resistor - 330 Ω \pm 5%1/10W	
181	1650 4390	Resistor - 39 Ω -5% 1/10W	
182	1650 4471	Resistor - 470 Ω \pm 5%1/10W	
183	1650 4472	Resistor - 4.7K Ω \pm 5% 1/10W	
184	1650 4512	Resistor - 5.1K Ω \pm 5%1/10W	
185	1650 4519	Resistor:5.1 Ω : \pm 5%:1/10W	
186	1650 4560	Chip Resistor - 56 Ω \pm 5% 1/10W	
187	1650 4680	Resistor - 68 Ω \pm 5%1/10W	
188	1650 4750	Resistor - 75 Ω \pm 5%1/10W	
189	1650 4821	Chip Resistor - 820 Ω \pm 5% 1/10W	
190	1654 1002	Resistor - 10K Ω \pm 5%1/10W	
191	1654 4999	Resistor - 49.9 Ω \pm 1%1/10W	
192	1654 5499	Resistor - 54.9 Ω \pm 1%1/10W	
193	1654 8200	Resistor - 820 Ω \pm 1%1/10W	
194	1906 0076	Flash Memory:MBM29PI12LM12PCN	
195	1907 0013	SDRAM:256M:4MX16X4:133Mhz:G1	

Parts Index

Parts Index

Part No.	Description	Page and Index No.
B658 1421	Operation Sub-unit:Expand:Exp:Ass'y	3 - *
B658 1430	Case:Expand	3 - 14
B658 1431	Cover:Expand:Lower	3 - 15
B658 1441	Keytop:Dial:Exp	3 - 16
B658 1445	Sheet:Preventfence Sheet:Expand	3 - 17
B658 1480	Pcb:Operation Sub-unit:Expand:Ass'y	3 - 18
B658 1481	Harness:Operation Sub-unit:Expand	3 - 19
B658 5700	PCB Ctl:Exp:Ass'y	5 - 2
B658 5700	PCB CTL:Exp:Ass'y	13 - *

Part No.	Description	Page and Index No.
B039 1469	Ground Plate	3 - 2
B039 1499	Pan Head Tapping Screw - M3x8	3 - 3
B070 6895	Panel:Interface	5 - 9
B404 1457	Pin	3 - 4
B404 1458	Quick Dial Plate Ass'y	3 - 5
B404 1459	Decal Dial 01-04	3 - 10
B404 1460	Decal Dial 05-08	3 - 11
B404 1461	Decal Dial 09-12	3 - 6
B404 1462	Decal Dial 13-16	3 - 7
B404 1463	Decal Dial 17-20	3 - 8
B404 1464	Decal Dial 21-24	3 - 9
B404 1465	Decal Dial 25-28	3 - 12
B404 1466	Decal Dial 29-32	3 - 13
B404 1473	Copy Key (NA)	3 - 1
B404 1483	Copy Key (EU)	3 - 1
B622 5823	Knob Screw	5 - 10
B622 5831	Rail:Right	5 - 11
B622 5832	Rail:Left	5 - 3
B622 5870	Bracket:Expand	5 - 6
B622 5874	Rail:Fax Control Unit	5 - 5
B622 5875	Cover:Fax Control Unit	5 - 8
B622 5876	Cover:Card	5 - 7
B622 5880	Cover:Expand	5 - 1
B622 5885	Holder:Rail	5 - 4
G089 5900	ASIC:Piccolo	13 - 1
G089 5902	Hybrid IC:D3144	13 - 2

Part No.	Description	Page and Index No.
0451 3006B	Tapping Screw - M3x6	5 -101
0451 3006B	Tapping Screw - M3x6	3 -101
0451 3008H	Tapping Screw - M3x8	3 -102
1102 4203	CT Header - 4P	13 -101
1102 8832	Connector - DM-3D4-B3210	13 -102
1102 9091	Connector - 406549-1	13 -103
1102 9181	Connector:TX24-100R-12ST-N1	13 -104
1102 9336	Connector:FPS009-2300-0	13 -105
1102 9349	Connector - DIMM	13 -106
1102 9686	Connector - RHM-176P-SDK11-U1L1C	13 -107
1102 9687	Connector - RHM-88PU-SDK11-1C	13 -108
1104 0413	Connetctor - 28p	13 -109
1204 1542	DIP Switch	13 -110
1206 0085	Lithium Cell:CR2032	13 -111
1206 0086	Dry Cell Holder:20H-1T	13 -112
1401 0821	Diode - 1SS133	13 -113
1402 1336	Diode - 1SS355	13 -114
1402 1365	Diode-RB751V-40	13 -115
1403 0996	LED - SML-310VT	13 -116
1407 2218	TTLIC - SN74LS06NS	13 -117
1407 5334	IC - CMOS LOGIC 74LVC244A TSSOP	13 -118
1407 5337	CMOS Logic - 74LVCH16373A TSSOP	13 -119
1407 5351	IC - SN74LV14APW	13 -120
1407 5352	IC - 74LVC32A TSSOP	13 -121
1407 5364	IC - SN74AHCT244PW	13 -122
1407 5523	ROM - I2C SOP 3V	13 -123
1407 5653	IC:SN74IVC08ANS	13 -124
1407 5685	IC:SN74AHC1G32HDK	13 -125
1407 5712	IC:SN74IV07ANS	13 -126
1407 5717	IC - ICS960001AF	13 -127
1407 5856	RAM - Fm18I08-70-p	5 -102
1407 5861	CPU - TMPR4955BFG-300	13 -128
1407 5868	Ethernet Cont Lsi - DP83847ALQA56A	13 -129
1407 6119	Real Time Clock:RV5C386A	13 -130
1408 1779	IC - R3112Q281A	13 -131

Part No.	Description	Page and Index No.
1408 1817	Series Regulator:AIC1085-15CM	13 -132
1408 1825	IC - R3112Q121A	13 -133
1408 1838	IC - R3112Q431A	13 -134
1503 0758	Oscillator - MC-306 32.768MHZ	13 -135
1503 0842	Oscillator - 14.31818MHZ	13 -136
1503 0959	Crystal Oscillator - 25MHZ	13 -137
1601 7887	Resistor Array - 10K Ω \pm 5% 1/32W	13 -138
1601 7896	Resistor Array - 56 Ω \pm 5% 1/32W	13 -139
1601 7898	Resistor Array	13 -140
1604 2362	Capacitor - 100 μ F \pm 20% 25V	13 -141
1604 4801	Capacitor - 1000 μ F \pm 20% 10V	13 -142
1604 4994	Capacitor - 100 μ F \pm 20% 6.3V	13 -143
1605 1025	Capacitor - 1000pF \pm 10% 2KV	13 -144
1605 1196	Capacitor - 5PF: \pm 0.25PF:50V	13 -145
1605 1199	Capacitor - 8PF \pm 0.5pF 50V	13 -146
1605 1200	Capacitor - 10PF \pm 0.5pF 50V	13 -147
1605 1205	Capacitor - 33pF \pm 5% 50V	13 -148
1605 1214	Capacitor - 1000pF \pm 10% 50V	13 -149
1605 1216	Capacitor - 2200PF \pm 10%50V	13 -150
1605 1221	Capacitor - 0.1 μ F+80-20%16V	13 -151
1605 1224	Capacitor 4.7 μ F \pm 10% 6.3V	13 -152
1605 1228	Capacitor:0.1 μ F: \pm 10%:25V	13 -153
1605 1240	Capacitor - 0.01 μ F \pm 10% 25V	13 -154
1605 1275	Capacitor - 820pF \pm 5% 50V	13 -155
1605 1281	Capacitor - 0.22 μ F \pm 10% 16V	13 -156
1605 1289	Capacitor - 0.1 μ F \pm 10% 10V	13 -157
1605 1291	Capacitor:2.2 μ F: \pm 10%:10V	13 -158
1605 1295	Capacitor:10 μ F:+80-20%:10V	13 -159
1605 1305	Capacitor - 1 μ F +80-20% 6.3V	13 -160
1605 1347	Capacitor - 1 μ F:+80-20%:16V	13 -161
1605 1359	Capacitor - 10 μ F: \pm 20%:16V	13 -162
1607 0069	Fuse - BL02RN2-R62-PB	13 -163
1607 0551	Inductor - BLM32A07PB	13 -164
1607 1142	Filter-BLM11B121SBPB	13 -165
1607 1206	Filter - ACC2012L-250	13 -166

Part No.	Description	Page and Index No.
1607 1310	Filter:BLM18BB220SN1B	13 -167
1607 1509	Transformer - TLA-6T118LF	13 -168
1632 0000	Resistor - 0 Ω 1/8W	13 -169
1634 0000	Resistor - 0 Ω 1/16W	13 -170
1644 2220	Resistor - 22 μ F: \pm 20%:25V	13 -171
1650 4101	Resistor - 100 Ω \pm 5%1/10W	13 -172
1650 4102	Resistor - 1K Ω \pm 5% 1/10W	13 -173
1650 4103	Resistor - 10K Ω \pm 5% 1/10W	13 -174
1650 4122	Resistor - 1.2K Ω \pm 5% 1/10W	13 -175
1650 4220	Chip Resistor - 22 Ω \pm 5% 1/10W	13 -176
1650 4271	Resistor - 270 Ω \pm 5%1/10W	13 -177
1650 4303	Resistor - 30K Ω \pm 5% 1/10W	13 -178
1650 4330	Chip Resistor - 33 Ω \pm 5% 1/10W	13 -179
1650 4331	Resistor - 330 Ω \pm 5%1/10W	13 -180
1650 4390	Resistor - 39 Ω -5% 1/10W	13 -181
1650 4471	Resistor - 470 Ω \pm 5%1/10W	13 -182
1650 4472	Resistor - 4.7K Ω \pm 5% 1/10W	13 -183

Part No.	Description	Page and Index No.
1650 4512	Resistor - 5.1K Ω \pm 5%1/10W	13 -184
1650 4519	Resistor:5.1 Ω : \pm 5%:1/10W	13 -185
1650 4560	Chip Resistor - 56 Ω \pm 5% 1/10W	13 -186
1650 4680	Resistor - 68 Ω \pm 5%1/10W	13 -187
1650 4750	Resistor - 75 Ω \pm 5%1/10W	13 -188
1650 4821	Chip Resistor - 820 Ω \pm 5% 1/10W	13 -189
1654 1002	Resistor - 10K Ω \pm 5%1/10W	13 -190
1654 4999	Resistor - 49.9 Ω \pm 1%1/10W	13 -191
1654 5499	Resistor - 54.9 Ω \pm 1%1/10W	13 -192
1654 8200	Resistor - 820 Ω \pm 1%1/10W	13 -193
1906 0076	Flash Memory:MBM29PI12LM12PCN	13 -194
1907 0013	SDRAM:256M:4MX16X4:133Mhz:G1	13 -195